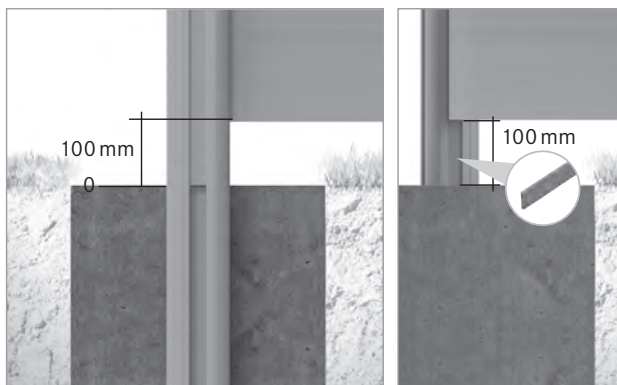
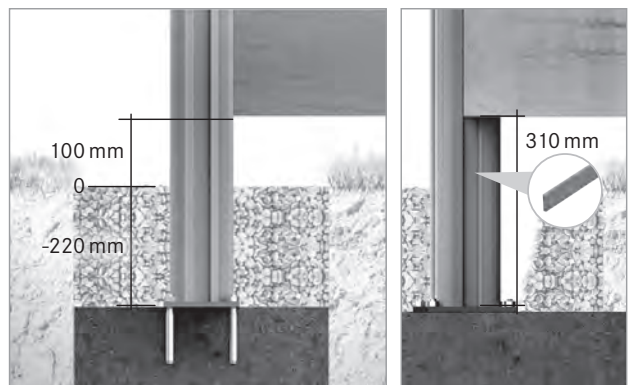


Foundation

Posts in concrete

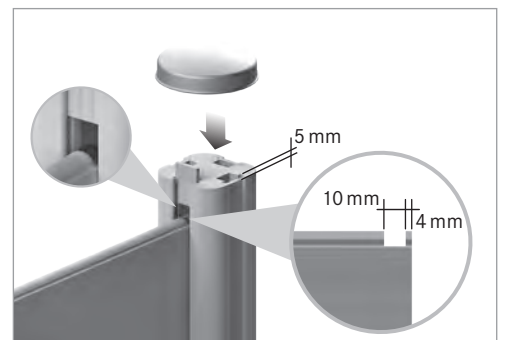
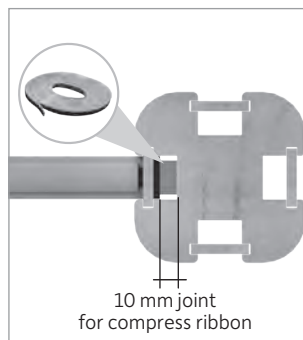
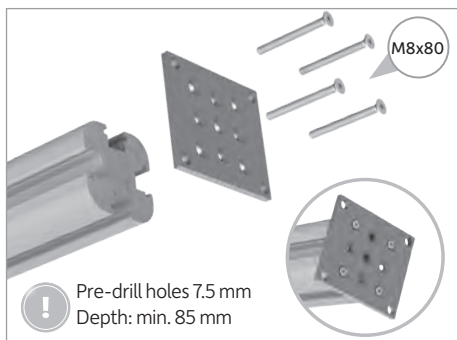


Posts on base plate



! The foundation width and depth must be designed according to static requirements and must be founded frost-free. Recommendation: 400 × 400 mm and a depth of 800 mm. Allow concrete to cure completely.

Mounting



Assembly instruction

Privacy screen VALERIA
Panels open

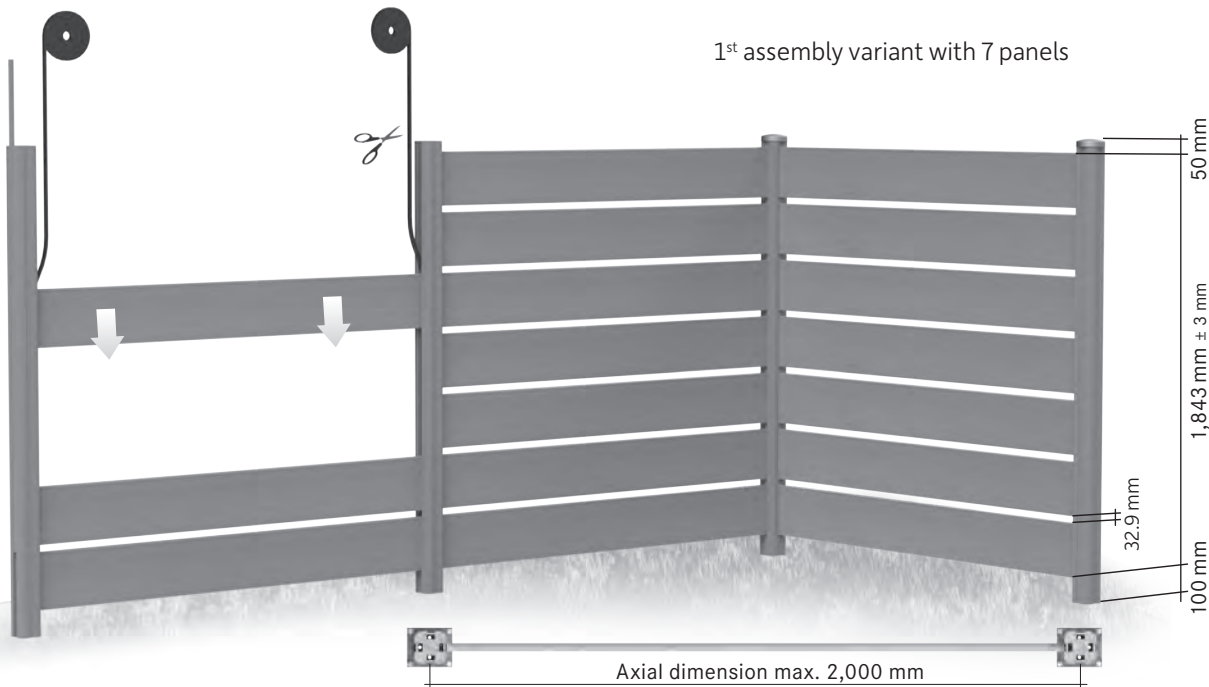
www.megawood.com



Made in Germany

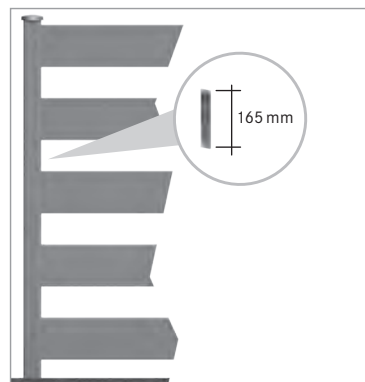
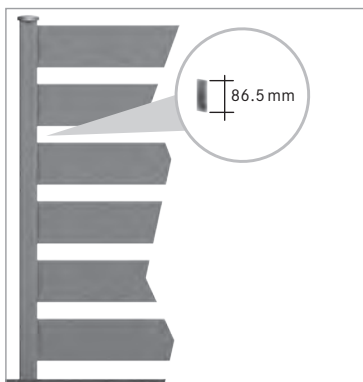
megawood®

1st assembly variant with 7 panels



Examples of assembly variants

2nd assembly variant with 6 panels 3rd assembly variant with 5 panels

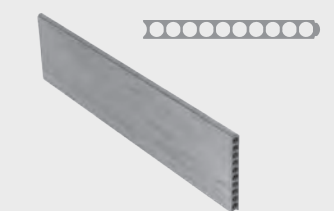


Mounting



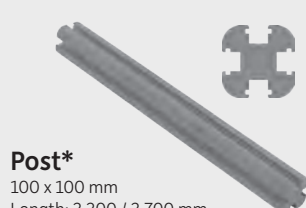
ARTICLE OVERVIEW

*Please note dimensional tolerances related to production.



Valeria panel*

25 x 235 mm
Length: 1,930 mm
MWP235025VG193 varia grey
MWP235025VS193 varia chocolate black
MWP235025IN193 ingwer



Post*

100 x 100 mm
Length: 2,200 / 2,700 mm
MWP100100VG220 varia grey
MWP100100VS220 varia chocolate black
MWP100100IN220 ingwer
MWP100100VG270 varia grey
MWP100100VS270 varia chocolate black
MWP100100IN270 ingwer



Insert bar*

6 x 34 mm
Length: 2,200 mm
MWEL006034-VG220 varia grey
MWEL006034-VS220 varia chocolate black
MWEL006034-IN220 ingwer



Compress ribbon

20 mm, 13 m/on a roll
NOVO007-21

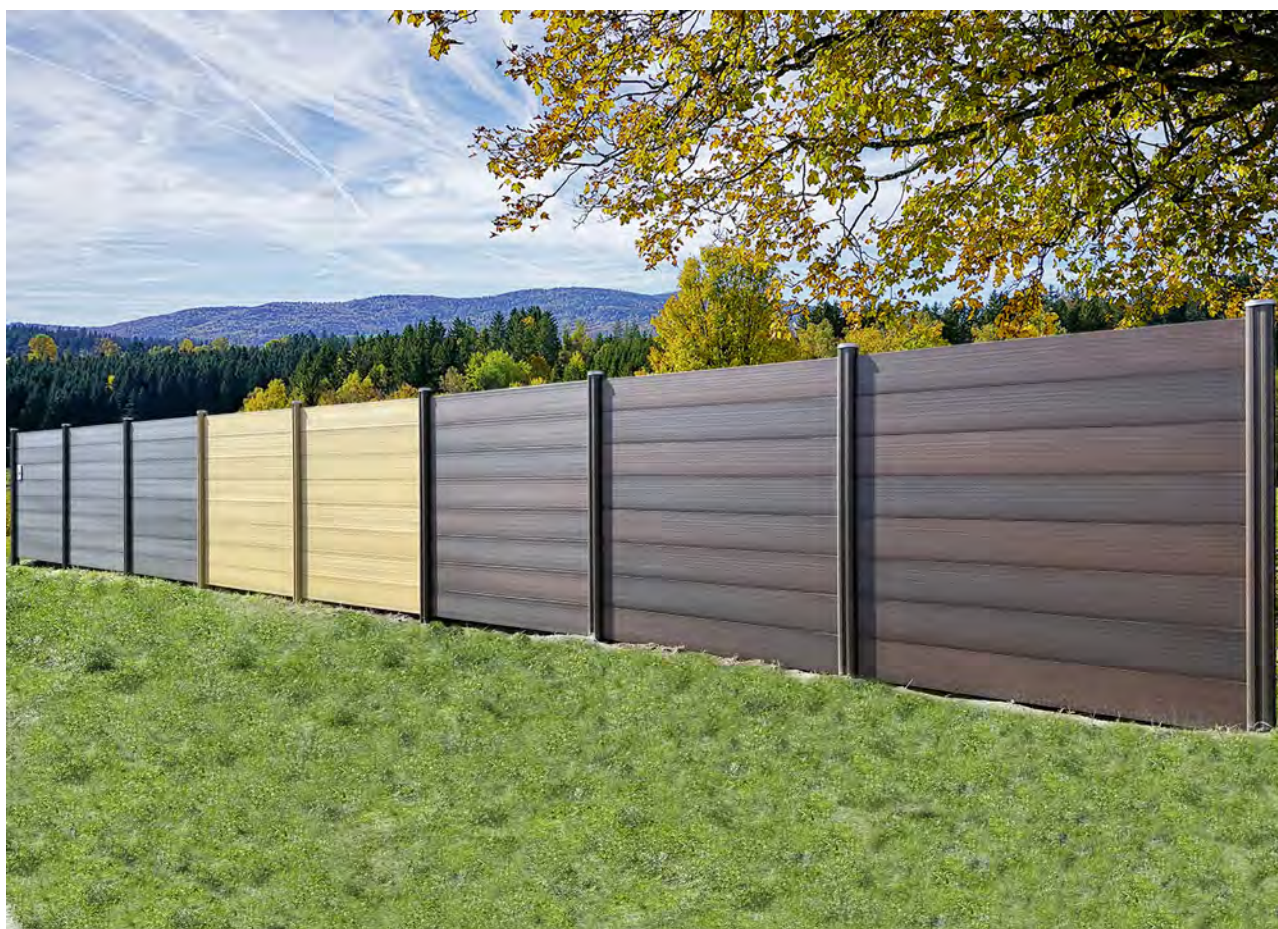


Post cap

round, Ø 105 mm
MWZUPF000001ED



Important assembly and sorting instructions:



For a harmonious overall look, we recommend always taking the elements from different packaging units to randomly vary the colour gradient and structure.

The optimal play of colours of the VALERIA elements in VARIA CHOCOLATE BLACK and VARIA GREY is only achieved with **2 elements** or more, then the fence unfolds its full vibrancy!